

Type _____
 Project _____
 Catalog No. _____
 Lamp/Wattage _____

NTH-119 (Line Voltage Track)
Roundback Universal Lamp Holder.
 Lamp: 50W R20/PAR20 / 75W BR30/PAR30
 250W PAR38 / 300W BR40 (Not Included)

PRODUCT DESCRIPTION

Line voltage cylindrical housing, roundback design. Structural arm provides full adjustment of light source for special aiming and completely conceals wire lead from socket to contact head. Internal mechanism allows for adjustment and resists angle degradation. Adjustment knob on housing side allows user to extend or retract the neck of the lamp source

FEATURES

- Deep drawn solid round back steel housing for high strength and rigidit.
- Adjustable socket.
- Completely concealed wiring.
- Fully adjustable, firm angle position.
- High strength stainless steel electrical contacts.
- One or two circuit track capable.

CONSTRUCTION

Housing

0.030" Deep drawn steel construction with simple aesthetic design. All edges are softened for aesthetic appearance. Groove and tightening knob on housing side allow user to adjust lamp position

Structural Arm

Extruded 0.055" aluminum arm connects fixture housing to electrical contact head. Internal tightening mechanism maintains desired lamp aiming angles. Structural arm also functions as wire way, completely concealing lead wire from socket to contact head

ELECTRICAL SYSTEM

Socket

Porcelain jacketed aluminum screw thread medium-base socket

Lamp

- 50W R20/PAR20 Maximum (not included)
- 75W BR30/PAR30 Maximum (not included)
- 250W PAR38 Maximum (not included)
- 300W BR40 Maximum (not included)

One/Two Circuit Conversion

Positive contact (opposite neutral and ground contacts) is preset to "down" position at factory but may be raised to the higher position to install onto the second circuit of Nora Lighting NT- 2300 series two-circuit track.

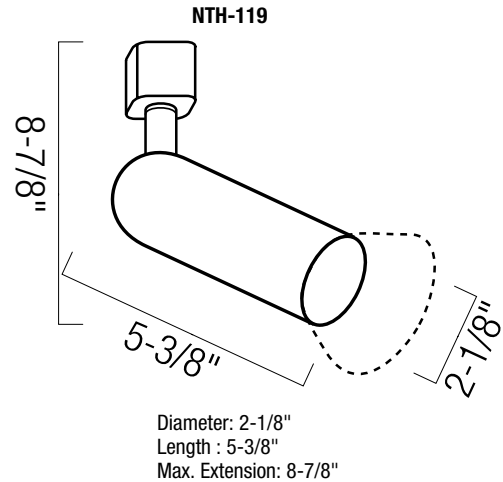
FINISHES

Black, Silver, or White heat rated baked enamel paint. Custom painting or anodizing for special applications are also available. Custom finishes will require lead times that vary depending on vendor schedule. Please consult factory for quotation, and provide either a Dunn Edwards number or color chip for exact matching.

LABELS AND LISTINGS

UL Listed.

DIMENSIONS



Roundback Universal Lamp Holder

Catalog No.	Min. - Max Wattage	Finishes	Style
<input type="checkbox"/> NTH-119	50W-300W	<input type="checkbox"/> B = Black <input type="checkbox"/> S = Silver <input type="checkbox"/> W = White	Blank = H-Style <input type="checkbox"/> J = J-Style <input type="checkbox"/> L = L-Style

Create a complete track head number: Example: NTH-119B