

# Watt-Hawk™ III T8 Fixture

A Breakthrough Alternative to HID High-Bay Systems

With Vi-Tek 93® Plus T8 Lamps

## Features

A Breakthrough Alternative to HID High-Bay Systems

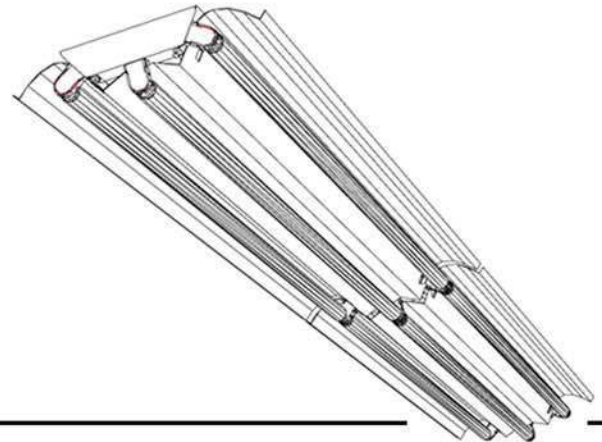
Superior Light Quality, 93.7% Photometric Efficiency

Rigid, Four-Bend Press-Brake Formed Body

Oversize specular reflectors

222 Watts on a 120-277 Volt System

240 Watts on a 480 Volt System w/Stepdown Transformer



## Technical Data

**Housing:** 20ga. (0.036") pre-painted steel die formed with sufficient knockouts for mounting and electrical supply.

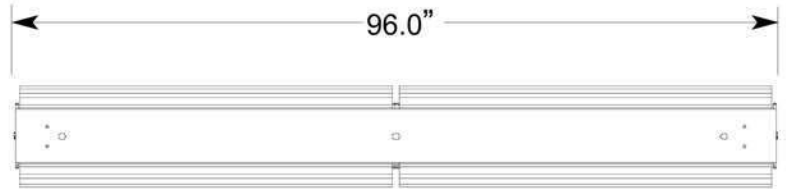
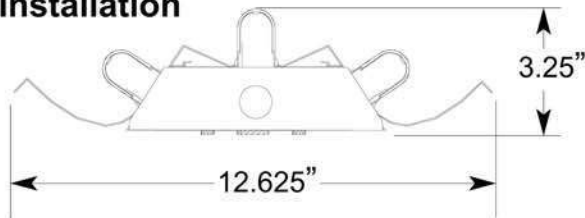
**Finish:** All cold rolled steel parts are painted with a smooth, glossy, highly reflective white paint.

**Reflector:** Can be ordered with a 95% specular, a 85% specular, or a 92% diffuse white enamel. (For maximum performance, 95% specular is recommended.) Substrate is 0.020" high quality aluminum. The reflector profile is optimized using computer analysis and manufactured using state of the art CNC equipment. A protective premask is applied to all reflective surfaces prior to manufacture.

**Construction:** The solid four-bend body provides added rigidity. The socket bars and endplates securely snap into place. The reflectors are attached to the fixture body with a tab lock system. No tools or additional fasteners are required for reflector installation and removal.

**Mounting:** Fixture can be surface, pendant, or chain suspended.

## Installation



## Highlights

Electronic ballasts available in both standard and high lumen versions

Outboard lampholders mount securely in the fixture body

Quality, cam-lock lampholders

Tab mount, tool free reflector attachment

Computer designed, CNC formed 0.020" specular aluminum reflector

**Lights**  
By H&H  
*Go Green!*



800-637-3853  
lightsbyhh.com

