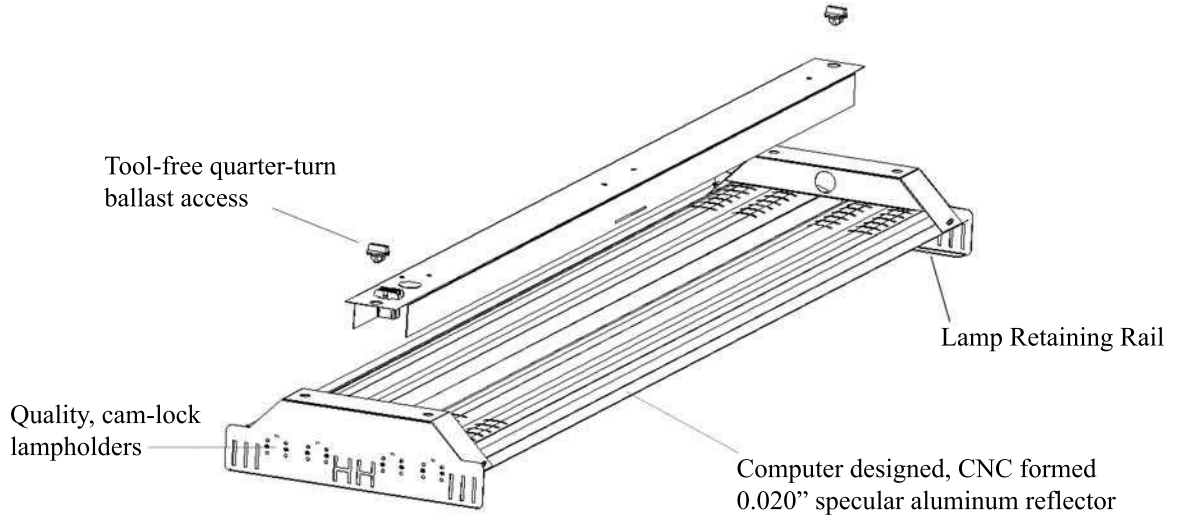
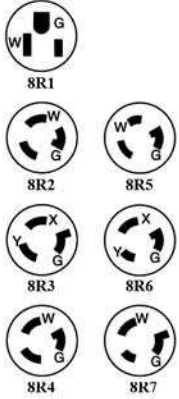




Nearly 50% Savings vs. 400 Watt Metal Halide Watt-Hawk™ II T5 Fixture

A Breakthrough Alternative to HID High-Bay Systems
With Vi-Tek 93® Plus T5 Lamps

Plugs



HH3100

4 Lamp 4 Foot Fluorescent Fixture

Ballast Channel: 20ga. (0.032") pre-painted steel die formed with sufficient knockouts for electrical supply

Construction: The solid reflector body provides added rigidity. The reflectors are preattached to the endplates with screws. No tools are required for reflector installation and removal.

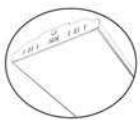
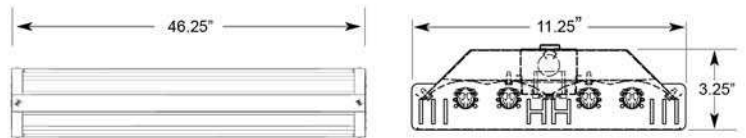
Mounting: Fixture is designed for chain or gripper aircraft cable installations.

Reflector: The reflector profile is optimized to 5 mirror angles per lamp using computer analysis and manufactured using state of the art CNC equipment. A protective premask is applied to all reflective surfaces prior to manufacture. Substrate is 0.020" high quality aluminum.

Finish: All cold rolled steel parts are painted with a smooth, glossy, highly reflective white enamel paint.

Designed to be used in place of:

400 Watt Metal Halide	400 Watt HPS
250 Watt Metal Halide	250 Watt HPS
F96T12HO Fixtures	
F96T12VHO Fixtures	



A-14HH-01-PR - Optional Wrap Lens

Lights
By H&H

Go Green!

Flier WH04



800-637-3853

lightsbyhh.com

