



Over 80% Savings vs. 400 Watt Metal Halide Watt-Hawk™ T8 Fixture

A Breakthrough Alternative to HID High-Bay Systems
With Vi-Tek 93® Plus T8 LED Lamps

Plugs



8C1



8C2



8C5



8C3



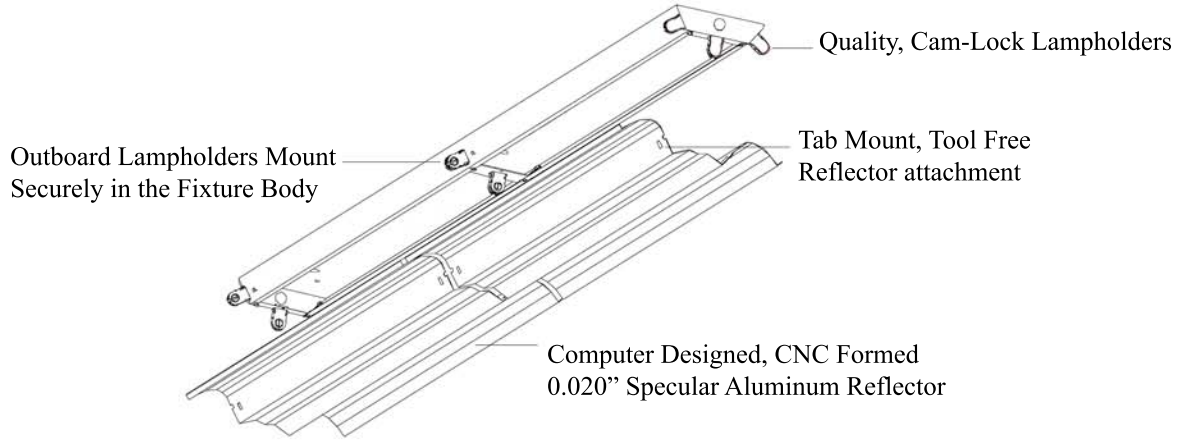
8C6



8C4



8C7



HH3102/LEDD2

6 Lamp 8 Foot T8 LED Direct Wire Fixture

Housing: 20ga. (0.032") pre-painted steel die formed with sufficient knockouts for mounting and electrical supply

Construction: The solid four bend body provides added rigidity. The socket bars and endplates securely snap into place. The reflectors are attached to the fixture body with a tab lock system. No tools or additional fasteners are required for reflector installation and removal.

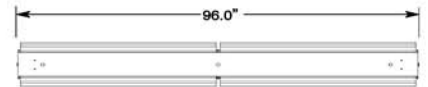
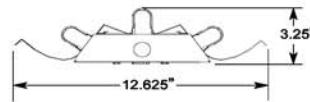
Mounting: Fixture is designed for chain or gripper aircraft cable installations.

Reflector: The reflector profile is optimized to 6 mirror angles per lamp using computer analysis and manufactured using state of the art CNC equipment. A protective premask is applied to all reflective surfaces prior to manufacture. Substrate is 0.020" high quality aluminum.

Finish: All cold rolled steel parts are painted with a smooth, glossy, highly reflective white enamel paint.

Designed to be used in place of:

400 Watt Metal Halide	400 Watt HPS
250 Watt Metal Halide	250 Watt HPS
F96T12HO Fixtures	
F96T12VHO Fixtures	



Lights
By H&H
Go Green!

Powermaster®
Series
800-637-3853
lightsbyhh.com

