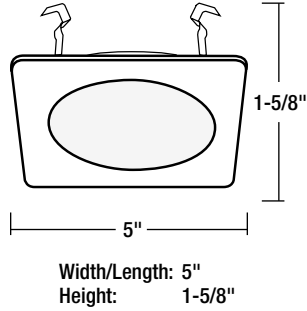


NS-4926
Frosted Flat Lens with Square Trim

TRIM DIMENSIONS



FEATURES

- Trim**
High grade frosted flat lens attached to square metal trim.
- Mounting**
Trim includes three trim clips that securely mount trim in housing.
- Compatible Housings**
Compatible with Line Voltage housings.
See individual specification sheets for more information.

- Lamp**
Line Voltage
50W R20/PAR20 Max. (NS-401QAT; NSIC-401QAT; NSR-404QAT)

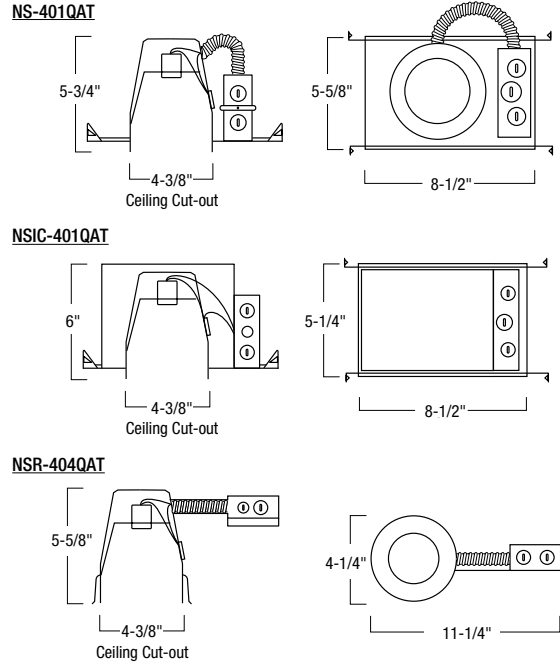
- Labels and Listings**
cULus Listed for Wet Location when used with compatible housing.

Frosted Flat Lens with Square Trim

- NS-4926B: Frosted Flat Lens with Black Square Trim
- NS-4926BZ: Frosted Flat Lens with Bronze Square Trim
- NS-4926C: Frosted Flat Lens with Chrome Square Trim
- NS-4926CO: Frosted Flat Lens with Copper Square Trim
- NS-4926G: Frosted Flat Lens with Gold Square Trim
- NS-4926N: Frosted Flat Lens with Natural Metal Square Trim
- NS-4926W: Frosted Flat Lens with White Square Trim

Type _____
 Project _____
 Catalog No. _____
 Lamp/Wattage _____

HOUSING DIMENSIONS



Compatible Housings

LINE VOLTAGE			
Item Number	Installation Type	Lamp	Dimensions
<input type="checkbox"/> NS-401QAT	Non-IC Air-Tight New Const.	50W R/PAR20	W: 5-5/8" L: 8-1/2" H: 5-5/8"
<input type="checkbox"/> NSIC-401QAT	IC Air-Tight New Construction	50W R/PAR20	W: 5-1/4" L: 8-1/2" H: 6-3/8"
<input type="checkbox"/> NSR-404QAT	Non-IC Air-Tight Remodel	50W R/PAR20	W: 4-1/4" L: 11-1/4" H: 5-5/8"