

Type _____

Project _____

Catalog No. _____

Lamp/Wattage _____

NEX-710-LED

LED Emergency/Exit Combination

Lamp: LEDs 2.8W / 55lm

PRODUCT DESCRIPTION

Wet Location exit sign utilizing LED modules as the primary light source for economy operation. Includes backup NiCad (nickel-cadmium) battery for operating under emergency applications where primary power source has been interrupted or terminated. Ideal for environment where the sign will be subjected to corrosive atmosphere, non-hazardous dust, water spray, splash, or regular hose-downs. Dual emergency fixtures feature full vertical adjustment allowing round heads to be positioned to the top, corners, or side of the exit sign. Emergency fixtures utilize reduced glare incandescent sources with a lens diffuser. In the event of power loss, both sign and heads will operate for a minimum of 90 minutes.

BODY

Combination high-impact plastic and steel construction

FACE

EXIT

- Single configuration only.
- 6" high text with color diffusion
- Knockout directional chevrons

EMERGENCY

- Two adjustable arms with round heads complete with specular reflector and diffuser lens for T5 light source.

MOUNTING

- Wall or ceiling
- Mounting hardware included

ELECTRICAL

Voltage

- Dual 120V/277V Input

Power Consumption

- 3.8 Watts, normal operation
- 5 Watts, emergency operation, with capacity for 10.8 additional watts if using remote fixtures and additional battery.

Light Source

- Exit: LED strip for normal operation
- Emergency: 2 X 5.4 T5 6V Wedge Base Incandescent Lamps

Battery

- 4.8V Replaceable 1.0Ah Ni-Cad battery operates integral heads and exit LED sources.
- 90 minute emergency operation
- Internal solid state charging circuit

Testing

- High-charge/ready operation indicator light
- Test button

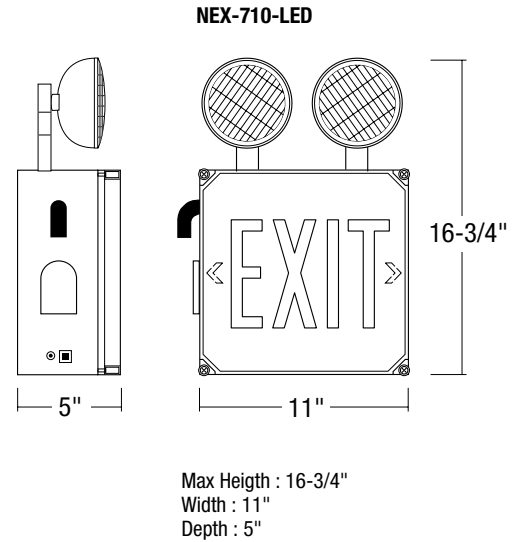
Testing

- Isolated surge/short circuit protection

LISTING

- UL listed

DIMENSIONS



ACCESSORIES

- NE-837 5.4W T5 Square Emergency Remote Fixture
- NEXS-P1 Clear Plastic Shield*
- NEXS-M3 Metal Shield
- NEXL-S Salida Face

* Use of Plastic Shield will limit adjustability of emergency heads



LED Exit Sign

Catalog No.	Lettering
<input type="checkbox"/> NEX-710-LED	<input type="checkbox"/> G = Green <input type="checkbox"/> R = Red

Create a complete track head number: Example: NEX-710-LEDR