

Type _____

Project _____

Catalog No. _____

Lamp/Wattage _____

NEX-730-LED

LED Emergency/Exit Combination

Lamp: LEDs 2.8W / 55lm

PRODUCT DESCRIPTION

Nora's LED Exit sign with dual emergency fixtures feature Ball & Socket LED Lights for full adjustability. Exit sign is powered by LED source for maximum life without maintenance; emergency fixtures utilize high performance. In the event of power loss, both sign and heads will operate for a minimum of 90 minutes.

FEATURES

- Fully adjustable 2.8 watt high-intensity LED heads.
- Universal Mounting - Wall or ceiling
- UL Listed and meets or exceeds UL924, NEC, OSHA and NFPA 101 Life Safety Code requirements
- Injection molded high impact and scratch resistant corrosion-proof and UL94 5V-0 flame retardant housing.
- Push-To-Test Switch
- Maintenance free NiCad battery
- 120 or 277 VAC input
- Field selectable Chevrons
- 6" High and 3/4" Stroke letters
- External LED Status indicator
- Available in Black or White
- 100,000 hour expected life
- Damp Location Listed
- Wet Location shield accessory available

BODY

Injection-molded dual housing

FACE

EXIT

- Single or dual configuration. Optional solid face panel is included.
- 6" high text with color diffusion
- Knockout directional chevrons

EMERGENCY

- Two adjustable Balls & socket with round heads holding self-protected, covered LEDs.

MOUNTING

- Wall or ceiling
- Mounting hardware included

ELECTRICAL

Voltage

- Dual 120V/277V Input

Power Consumption

- 2.8 Watts, normal operation
- 3.5 Watts, emergency operation, with capacity for 10 additional watts if using remote

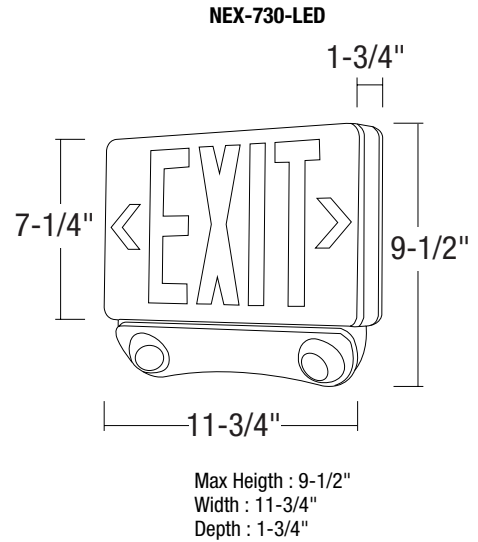
Light Source

- Exit: LED strip for normal operation
- Emergency: 2 X 5.4 T5 6V Wedge Base Incandescent Lamps

Battery

- 4.8V Replaceable 1.0Ah Ni-Cad battery operates integral heads and exit LED sources.
- 90 minute emergency operation
- Internal solid state charging circuit

DIMENSIONS



Testing

- High-charge/ready operation indicator light
- Test button

Testing

- Isolated surge/short circuit protection

LISTING

- UL listed

ACCESSORIES

- NEG-730 Weatherproof / Vandal resistant cover



LED Exit Sign

Catalog No. _____

Lettering _____

NEX-730-LED

G = Green

R = Red

Create a complete track head number: Example: NEX-730-LEDR