



Project:	Type:
Prepared By:	Date:

Driver Info		LED Info	
Type:	Constant Current	Watts:	50W
120V:	0.42A	Color Temp:	4000K
208V:	0.25A	Color Accuracy:	83 CRI
240V:	0.22A	L70 Lifespan:	100000
277V:	0.19A	Lumens:	4230
Input Watts:	51W	Efficacy:	83 LPW
Efficiency:	98%		

Technical Specifications

Listings

UL Listing:

Suitable for damp locations

IESNA LM-79 & LM-80 Testing:

RAB LED luminaires have been tested by an independent laboratory in accordance with IESNA LM-79 and LM-80, and have received the Department of Energy "Lighting Facts" label.

Electrical

Driver:

Constant Current, Class 2, 4-channel driver with 0-10V dimming, 450mA, 120-277VAC 0.55A, Power Factor >92%

Dimming Driver:

Driver includes dimming control for 0-10V dimming systems. Requires separate 0-10V DC dimming circuit. Dims as low as 5%.

THD:

10.8% at 120V, 13.4% at 277V

Construction

Lens:

Nominal .125" thick prismatic acrylic lens with diffusion for enhanced optical performance

IC Rating:

Suitable for insulated ceilings

Housing:

Die-formed 22 gauge, cold-rolled steel

Installation:

Standard integral earthquake and NEC T-bar clips secure the fixture to T-bars and prevent T-system separation. For recessed mounting kit see

Finish:

High-reflectance (91%) powder coat applied post production for a more durable finish

Green Technology:

Mercury and UV free. RoHS compliant components. Polyester powder coat finish formulated without the use of VOC or toxic heavy metals.

LED Characteristics

LEDs:

Long-life, high-efficiency, micro-power, surface mount LEDs; binned and mixed for uniform light output and color.

Lifespan:

100,000-hour LED lifespan based on IES LM-80 results and TM-21 calculations.

Color Stability:

LED Color temperature is warranted to shift no more than 200K in CCT over a 5 year period.

Other

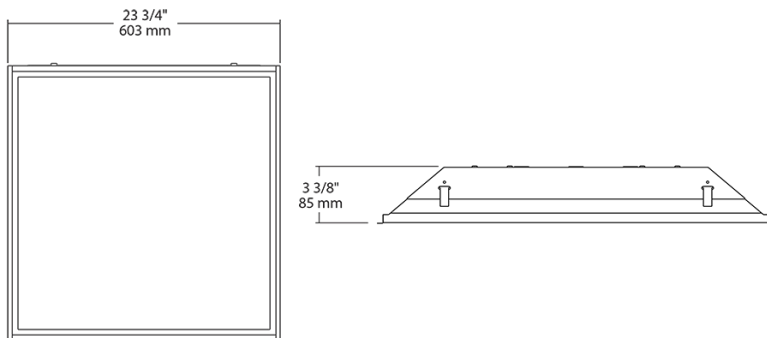
California Title 24:

TRLED2X2-50N/D10 complies with 2013 California Title 24 building and electrical codes as a commercial indoor fixture for general spaces when used with a vacancy sensor and 0-10V dimming control. Select a vacancy sensor using catalog number LVS800. 0-10V dimmer provided by others.

Buy American Act Compliance:

RAB values USA manufacturing! Upon request, RAB may be able to manufacture this product to be compliant with the Buy American Act (BAA). Please contact customer service to request a quote for the product to be made BAA compliant.

Dimensions



Features

- High efficiency, low maintenance alternative to fluorescent
- Prismatic lens with diffusion for enhanced optical performance
- 0-10V dimming standard on all models
- Optional recessed mounting kit available
- 100,000-hour LED lifespan
- 5-Year warranty

TRLED2X2-50N/D10



Ordering Matrix

Family	Size	Watts	Color Temp	Dimming
TRLED	2X2 = 2' x 2'	37 = 37W 50 = 50W	Y = 3000K (Warm) YN = 3500K (Warm Neutral) N = 4000K (Neutral)	/D10 = Dimmable