



Replace conventional halogen bulbs. Dimmable LED, 80 CRI.

Color: White

Weight: 0.1 lbs

Project:	Type:
Prepared By:	Date:

Driver Info		LED Info	
Watts	10W	Input Voltage	120V
Color Temp	4000K (Cool White)	Power Factor	≥0.7
Lumens	800	Flicker	N/A
Efficacy	80 LPW	THDi	N/A
Color Accuracy	80 CRI	R9	
L70 Accuracy	15,000		

Technical Specifications

Listings

UL Listed:

Yes

FCC:

Yes

Rohs:

Yes

CEC Status:

Not lawful for sale in California

ENERGY STAR V2.0:

This product is ENERGY STAR® Version 2.0 Certified

Energy Star ID:

2329698

Description

Dimmable:

Yes, down to 10%

Lamp Type:

A Series Bulb

Bulb Type:

A19

Base Type:

E26, Medium Screw Base

Material:

Plastic

Construction

Operating Temperature:

-20 - 45°C

MOL (inches):

4.17"

MOD (inches):

2.36"

LED Characteristics

Lifespan:

15,000-hour LED lifespan based on IES LM-70 results

Other

Equivalent:

60W Incandescent A19

Warranty:

3 years

Optical

Beam Angle:

230°

Shipping Information

Case Qty:

12

Technical Specifications (continued)

Shipping Information

Case Dimensions:

15.4 x 5.2 x 4.9

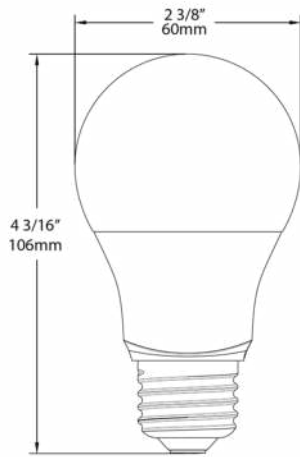
Pallet Quantity of Pieces:

2016

Pallet Dimensions:

47.24 x 39.37 x 45.67

Dimensions



Features

A-LINE REPLACEMENT - Replacement for conventional halogen and incandescent bulbs

ENERGY SAVINGS - Save up to 85% on energy

DAMP RATED - Suitable for damp locations

15,000-HOUR LIFESPAN - Last up to 13.7 years at 3 hours per day

ENCLOSED FIXTURE RATED - May be used in both enclosed and open fixtures

SHATTERPROOF - Plastic lamps for rugged applications

80 CRI - Ideal for general lighting applications

DIMMABLE - Compatible with most common dimmer models

Ordering Matrix

Family	Lamp Power	Base Type	CRI	Color Temp	Dimmable
A19	10	E26	8	40	DIM
	5 = 40W 9 = 60W 10 = 60W 13 = 75W 15 = 100W 16 = 100W	E26 = E26 GU24 = GU24	8 = 80 CRI	27 = 2700K 30 = 3000K 40 = 4000K 50 = 5000K	DIM = Dimmable