



Replace 40W and 60W bulbs.  
Color: White

Weight: 0.1 lbs

<b>Project:</b>	<b>Type:</b>
<b>Prepared By:</b>	<b>Date:</b>

Driver Info		LED Info	
Watts	4W	Input Voltage	120V
Color Temp	5000K (Daylight)	Power Factor	0.7
Lumens	350	Flicker	<30%
Efficacy	92.1 LPW	THDi	N/A
Color Accuracy	90 CRI	R9	
L70 Accuracy	15,000		

## Technical Specifications

### Listings

#### ETL Qualified:

Yes

#### FCC:

Yes

#### Rohs:

Yes

#### CEC Status:

Lawful for sale in California

#### ENERGY STAR V2.0:

This product is ENERGY STAR® Version 2.0 Certified

#### Energy Star ID:

2330349

#### Description

#### Dimmable:

Yes, down to 10%

#### Lamp Type:

Decorative Lamps

#### Bulb Type:

G16.5

#### Base Type:

E12, Candleabra

#### Material:

Glass

#### Construction

#### Operating Temperature:

-20 - 45°C

#### MOL (inches):

3.19"

#### MOD (inches):

1.97"

### LED Characteristics

#### Lifespan:

15,000-hour LED lifespan based on IES LM-70 results

#### Other

#### Equivalent:

40W Incandescent G16.5

#### Warranty:

3 years

#### Optical

#### Beam Angle:

360°

#### Shipping Information

#### Case Qty:

12

## Technical Specifications (continued)

### Shipping Information

#### Case Dimensions:

9.02 x 6.81 x 4.33

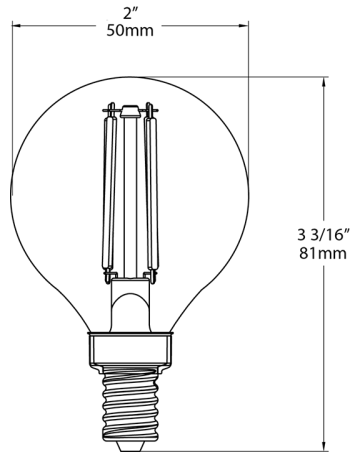
#### Pallet Quantity of Pieces:

2592

#### Pallet Dimensions:

39.06 x 45.67 x 36.22

## Dimensions



## Features

- DECORATIVE BULB REPLACEMENT - Replaces conventional decorative lamps
- ENERGY SAVINGS - Save up to 85% on energy
- 90 CRI - Produces rich and vibrant colors
- 15,000-HOUR LIFESPAN - Last up to 13.7 years at 3 hours per day
- DAMP RATED - Suitable for damp locations
- ENCLOSED FIXTURE RATED - May be used in both enclosed and open fixtures
- FROSTED GLASS - Simulate the appearance of conventional lamps
- 360° LIGHT OUTPUT - Well suited for decorative lighting applications
- DIMMABLE - Compatible with most common dimmer models

## Ordering Matrix

Family	Lamp Power	Base Type	CRI	Color Temp	Type	Finish
G16.5	3	E12	9	50	F	F
	3 = 40W	E12 = E12 E26 = E26	9 = 90 CRI	27 = 2700K 50 = 5000K	F = Filament	F = Frosted