



Replace 40W and 60W bulbs.

Color: White

Weight: 0.1 lbs

Project:	Type:
Prepared By:	Date:

Driver Info		LED Info	
Watts	4W	Input Voltage	120V
Color Temp	5000K (Daylight)	Power Factor	0.7
Lumens	350	Flicker	<30%
Efficacy	92.1 LPW	THDi	N/A
Color Accuracy	90 CRI	R9	
L70 Accuracy	15,000		

Technical Specifications

Listings

ETL Qualified:

Yes

FCC:

Yes

Rohs:

Yes

CEC Status:

Lawful for sale in California

ENERGY STAR V2.0:

This product is ENERGY STAR® Version 2.0 Certified

Energy Star ID:

2330364

Description

Dimmable:

Yes, down to 10%

Lamp Type:

Decorative Lamps

Bulb Type:

G25

Base Type:

E26, Medium Screw Base

Material:

Glass

Construction

Operating Temperature:

-20 - 45°C

MOL (inches):

4.29"

MOD (inches):

3.15"

LED Characteristics

Lifespan:

15,000-hour LED lifespan based on IES LM-70 results

Other

Equivalent:

40W Incandescent G25

Warranty:

3 years

Optical

Beam Angle:

360°

Shipping Information

Case Qty:

6

Technical Specifications (continued)

Shipping Information

Case Dimensions:

10.35 x 6.97 x 5.71

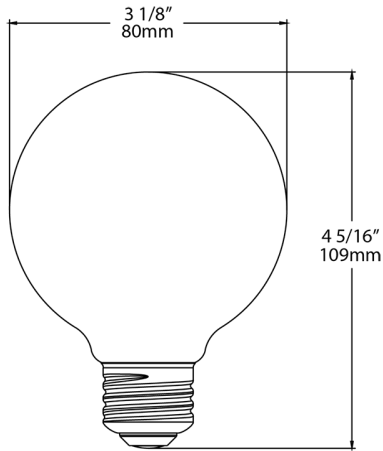
Pallet Quantity of Pieces:

792

Pallet Dimensions:

42.52 x 38.5 x 39.45

Dimensions



Features

- DECORATIVE BULB REPLACEMENT - Replaces conventional decorative lamps
- ENERGY SAVINGS - Save up to 85% on energy
- 90 CRI - Produces rich and vibrant colors
- 15,000-HOUR LIFESPAN - Last up to 13.7 years at 3 hours per day
- DAMP RATED - Suitable for damp locations
- ENCLOSED FIXTURE RATED - May be used in both enclosed and open fixtures
- FROSTED GLASS - Simulate the appearance of conventional lamps
- 360° LIGHT OUTPUT - Well suited for decorative lighting applications
- DIMMABLE - Compatible with most common dimmer models

Ordering Matrix

Family	Lamp Power	Base Type	CRI	Color Temp	Type	Finish
G25	3	E26	9	50	F	F
	3 = 40W	E26 = E26	9 = 90 CRI	27 = 2700K 50 = 5000K	F = Filament	F = Frosted