



Replace 40W and 60W bulbs.  
Color: White

Weight: 0.1 lbs

<b>Project:</b>	<b>Type:</b>
<b>Prepared By:</b>	<b>Date:</b>

Driver Info		LED Info	
Watts	3.80W	Input Voltage	120V
Color Temp	5000K (Daylight)	Power Factor	0.7
Lumens	350	Flicker	<30%
Efficacy	92.1 LPW	THDi	N/A
Color Accuracy	90 CRI	R9	
L70 Accuracy	15,000		

## Technical Specifications

### Listings

**ETL Qualified:**

Yes

**FCC:**

Yes

**Rohs:**

Yes

**CEC Status:**

Lawful for sale in California

**ENERGY STAR V2.0:**

This product is ENERGY STAR® Version 2.0 Certified

**Energy Star ID:**

2330343

### Technical Specifications

**Dimmable:**

Yes, down to 10%

### Description

**Lamp Type:**

Decorative Lamps

**Bulb Type:**

G16.5

**Base Type:**

E26, Medium Screw Base

**Material:**

Glass

### Construction

**Operating Temperature:**

-20 - 45°C

**MOL (inches):**

3.23"

**MOD (inches):**

1.97"

### LED Characteristics

**Lifespan:**

15,000-hour LED lifespan based on IES LM-70 results

### Other

**Equivalent:**

40W Incandescent G16.5

**Warranty:**

3 years

### Optical

**Beam Angle:**

360°

### Shipping Information

**Case Qty:**

12

## Technical Specifications (continued)

### Shipping Information

#### Case Dimensions:

9.02 x 6.81 x 4.33

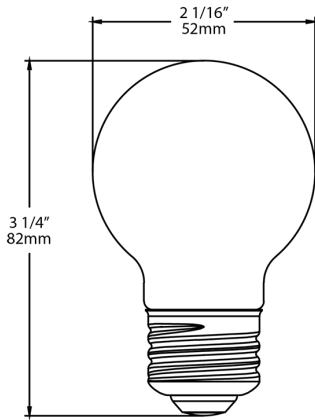
#### Pallet Quantity of Pieces:

2592

#### Pallet Dimensions:

39.06 x 45.67 x 36.22

### Dimensions



### Features

- DECORATIVE BULB REPLACEMENT - Replaces conventional decorative lamps
- ENERGY SAVINGS - Save up to 85% on energy
- 90 CRI - Produces rich and vibrant colors
- 15,000-HOUR LIFESPAN - Last up to 13.7 years at 3 hours per day
- DAMP RATED - Suitable for damp locations
- ENCLOSED FIXTURE RATED - May be used in both enclosed and open fixtures
- CLEAR GLASS - Simulate the appearance of conventional lamps
- 360° LIGHT OUTPUT - Well suited for decorative lighting applications
- DIMMABLE - Compatible with most common dimmer models

### Ordering Matrix

Family	Lamp Power	Base Type	CRI/Color Temp	Type	Finish
G16.5	3	E26	950	F	C
	3 = 40W	E12 = E12 E26 = E26	927 = 2700K	F = Filament	C = Clear