

FSLED Steplights 3W. Suitable for both indoor and outdoor use. Easy installation into a recessed 2" x 4" jbox. Available in vertical or horizontal models either with trims or trimless.

Color: Bronze

Weight: 0.6 lbs

<b>Project:</b>	<b>Type:</b>
<b>Prepared By:</b>	<b>Date:</b>

Driver Info		LED Info	
Type	Constant Current	Watts	3.00W
120V	0.108A	Color Temp	3000K (Warm)
208V	N/A	Color Accuracy	82 CRI
240V	N/A	L70 Lifespan	100,000
277V	N/A	Lumens	37
Input Watts	3.00W	Efficacy	12.3 LPW
Efficiency	N/A		

## Technical Specifications

### Listings

#### UL Listing:

Suitable for wet locations

#### IESNA LM-79 & IESNA LM-80 Testing:

RAB LED luminaires and LED components have been tested by an independent laboratory in accordance with IESNA LM-79 and LM-80.

### Construction

#### IP Rating:

Ingress Protection rating of IP66 for dust and water

#### Housing:

Precision die cast aluminum

#### Trim:

1/2" Trim

#### Maximum Ambient Temperature:

Suitable for use in 40°C (104°F)

#### Cold Weather Starting:

Minimum starting temperature is -40°C (-40°F)

#### Mounting:

Recessed junction box. Horizontal models.

#### Lens:

Tempered glass lens

#### Gaskets:

High-temperature silicone

#### Finish:

Formulated for high durability and long-lasting color

#### Green Technology:

Mercury and UV free. RoHS-compliant components.

### LED Characteristics

#### LEDs:

Long-life, high-efficacy surface mount LEDs

#### Color Stability:

LED color temperature is warrantied to shift no more than 200K in CCT over a 5-year period

#### Color Uniformity:

RAB's range of CCT (Correlated Color Temperature) follows the guidelines of the American National Standard for Specifications for the Chromaticity of Solid State Lighting (SSL) Products, ANSI C78.377-2017.

#### Lifespan:

100,000-hour LED lifespan based on IES LM-80 results and TM-21 calculations

### Other

#### Warranty:

RAB warrants that our LED products will be free from defects in materials and workmanship for a period of five (5) years from the date of delivery to the end user, including coverage of light output, color stability, driver performance and fixture finish. RAB's warranty is subject to all terms and conditions found at [rablighting.com/warranty](http://rablighting.com/warranty).

#### Equivalency :

Equivalent to 5W/T3

#### Buy American Act Compliance:

RAB values USA manufacturing! Upon request, RAB may be able to manufacture this product to be compliant with the Buy American Act (BAA). Please contact customer service to request a quote for the product to be made BAA compliant.

## Technical Specifications (continued)

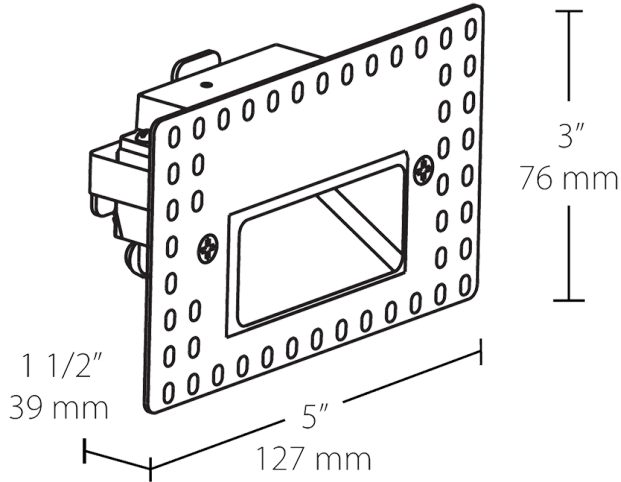
### Electrical

**THD:**  
31.4% at 120V

### Power Factor:

94.8% at 120V

## Dimensions



## Features

- Easy installation into a recessed 2" x 4" job
- Deep regress of light source eliminates glare
- Concealed hardware for a clean, sophisticated look
- Suitable for both indoor and outdoor use
- 5-Year, No-Compromise Warranty

## Ordering Matrix

Family	Orientation	Wattage	Color Temp	Finish	Voltage	Trim Options
FSLED	H	3	Y		/120	/TL
	H = Horizontal V = Vertical	3 = 3W	N = 4000K (Neutral) Y = 3000K (Warm) YY = 2700K (Residential Warm)	Blank = Bronze W = White B = Black S = Matte Silver	/120 = 120V /277 = 277V	Blank = Surface Plate /TL = Trimless Mount