

FSLED Steplights 3W. Suitable for both indoor and outdoor use. Easy installation into a recessed 2" x 4" jbox. Available in vertical or horizontal models either with trims or trimless.

Color: Bronze

Weight: 0.6 lbs

Project:

Type:

Prepared By:

Date:

Driver Info

Type	Constant Current
120V	0.108A
208V	N/A
240V	N/A
277V	N/A
Input Watts	3.00W
Efficiency	N/A

LED Info

Watts	3.00W
	2700K (Residential Warm)
Color Temp	
Color Accuracy	79 CRI
L70 Lifespan	100,000
Lumens	34
Efficacy	11.3 LPW

Technical Specifications

Listings

UL Listing:

Suitable for wet locations

IESNA LM-79 & IESNA LM-80 Testing:

RAB LED luminaires and LED components have been tested by an independent laboratory in accordance with IESNA LM-79 and LM-80.

Construction

IP Rating:

Ingress Protection rating of IP66 for dust and water

Housing:

Precision die cast aluminum

Trim:

1/2" Trim

Maximum Ambient Temperature:

Suitable for use in 40°C (104°F)

Cold Weather Starting:

Minimum starting temperature is -40°C (-40°F)

Mounting:

Recessed junction box. Horizontal models.

Lens:

Tempered glass lens

Gaskets:

High-temperature silicone

Finish:

Formulated for high durability and long-lasting color

Green Technology:

Mercury and UV free. RoHS-compliant components.

LED Characteristics

LEDs:

Long-life, high-efficacy surface mount LEDs

Color Stability:

LED color temperature is warrantied to shift no more than 200K in CCT over a 5-year period

Color Uniformity:

RAB's range of CCT (Correlated Color Temperature) follows the guidelines of the American National Standard for Specifications for the Chromaticity of Solid State Lighting (SSL) Products, ANSI C78.377-2017.

Lifespan:

100,000-hour LED lifespan based on IES LM-80 results and TM-21 calculations

Other

Warranty:

RAB warrants that our LED products will be free from defects in materials and workmanship for a period of five (5) years from the date of delivery to the end user, including coverage of light output, color stability, driver performance and fixture finish. RAB's warranty is subject to all terms and conditions found at rablighting.com/warranty.

Equivalency :

Equivalent to 5W/T3

Buy American Act Compliance:

RAB values USA manufacturing! Upon request, RAB may be able to manufacture this product to be compliant with the Buy American Act (BAA). Please contact customer service to request a quote for the product to be made BAA compliant.

Technical Specifications (continued)

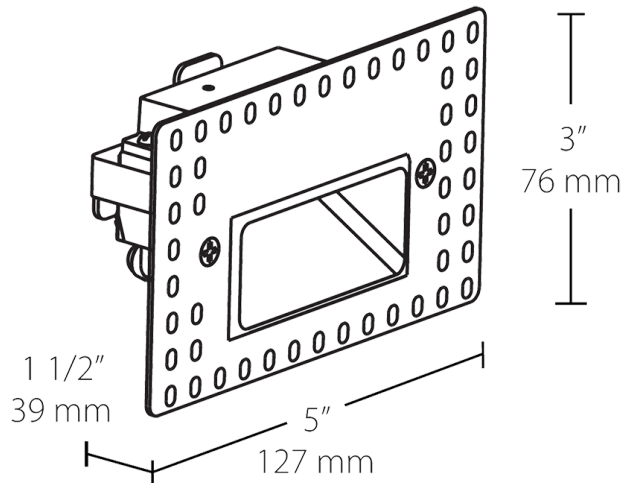
Electrical

THD:
31.5% at 120V

Power Factor:

96.5% at 120V

Dimensions



Features

- Easy installation into a recessed 2" x 4" job
- Deep regress of light source eliminates glare
- Concealed hardware for a clean, sophisticated look
- Suitable for both indoor and outdoor use
- 5-Year, No-Compromise Warranty

Ordering Matrix

Family	Orientation	Wattage	Color Temp	Finish	Voltage	Trim Options
FSLED	H	3	YY		/120	/TL
	H = Horizontal V = Vertical	3 = 3W	N = 4000K (Neutral) Y = 3000K (Warm) YY = 2700K (Residential Warm)	Blank = Bronze W = White B = Black S = Matte Silver	/120 = 120V /277 = 277V	Blank = Surface Plate /TL = Trimless Mount