



Replace 40W A15 lamps with an E26 base.

Color: White

Weight: 0.1 lbs

Project:

Type:

Prepared By:

Date:

Driver Info

Watts 4.00W
 Color Temp 2700K (Soft White)
 Lumens 450
 Efficacy 112.5 LPW
 Color Accuracy 80 CRI
 L70 Accuracy 15,000

LED Info

Input Voltage 120V
 Power Factor 0.7
 Flicker N/A
 THDi N/A
 R9

Technical Specifications

Technical Specifications

Product Type:

Decorative

Bulb Shape:

A15

Finish:

Clear

Wattage:

4W

Wattage Equivalency:

40W Incandescent

Typical Lumen Output:

450

Efficacy:

100 lm/W

Color Temperature:

2700K Soft White

CRI:

80

Base Type:

E26

L70 Lifespan:

15,000 hours

Operating Temperature:

-20°C - 45°C

Dimmable:

Yes

Beam Angle:

300°

Warranty:

3-Year, No-Compromise Warranty

For Use in Emergency Fixtures:

No

For Use Outdoors in Open Fixtures:

Yes

Electrical Characteristics

Input Voltage:

120V

Power Factor:

0.7

Technical Specifications (continued)

Electrical Characteristics

Operating Frequency:

60 Hz

Input Current @ 120V:

58mA

Listings

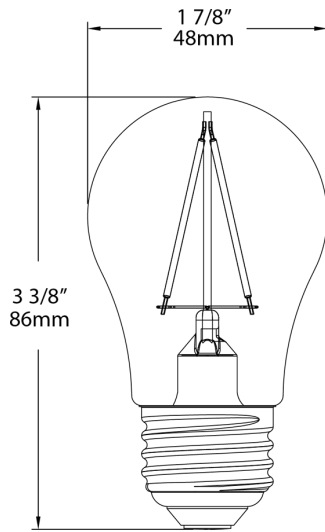
UL Listed:

Yes

CEC Status:

Not lawful for sale in California

Dimensions



Features

- PREMIUM, FULL GLASS DESIGN - Mimics traditional bulbs
- 90 CRI - Produces rich and vibrant colors
- 15,000-HOUR LIFESPAN - Lasts up to 13.7 years at 3 hours per day
- ENCLOSED FIXTURE RATED - May be used in both enclosed and open fixtures
- OMNIDIRECTIONAL Light output
- DAMP RATED - Suitable for damp locations