

**Project:**

**Type:**

**Prepared By:**

**Date:**



UPC: 019813834061



### Features and Benefits

- Energy efficient replacement for incandescent and halogen lamps
- Constructed from durable plastic which lowers risk of breakage
- Rated for use in enclosed and open fixtures in dry or damp locations (>15W A19 is Open fixture rated)
- Frosted lens produces smooth diffuse light
- Longer lifespan compared to legacy equivalents minimizes replacement and maintenance costs
- ENERGY STAR Compliant
- Dimmable with common dimmer types (check compatibility list)

## Technical Specifications

### Performance

**Product Type:**

A-Line

**Input Wattage:**

10W

**Typical Lumen Output:**

800

**Efficacy:**

80 lm/W

**Color Temperature:**

3500K Neutral White

**CRI:**

80

**L70 Lifespan:**

15,000 Hours

**Dimmable:**

Yes, down to 10%

### Construction

**Bulb Shape:**

A19 Frost

**Base Type:**

E26

**Beam Angle:**

230°

### Other

**Equivalency:**

60W Incandescent

### Warranty (Years):

RAB warrants that our LED products will be free from defects in materials and workmanship for a period of three (3) years from the date of delivery to the end user, including coverage of light output, color stability, driver performance and fixture finish. RAB's warranty is subject to all terms and conditions found at [rablighting.com/warranty](http://rablighting.com/warranty).

### Electrical

**Power Factor:**

0.7

**Operating Temperature:**

-20°C - 45°C

**Input Voltage:**

120V

## Technical Specifications (continued)

### Electrical

**Operating Frequency:**

60 Hz

### Technical Specifications

**For Use in Emergency Fixtures:**

No

**For Use Outdoors in Open Fixtures:**

No

### Electrical Characteristics

**Input Current @ 120V:**

101mA

### Compliance

**UL Listed:**

Yes

**ENERGY STAR V2.0:**

This product is ENERGY STAR® Version 2.0 Certified

**Energy Star Model Number:**

A10034

**Energy Star ID:**

2357500

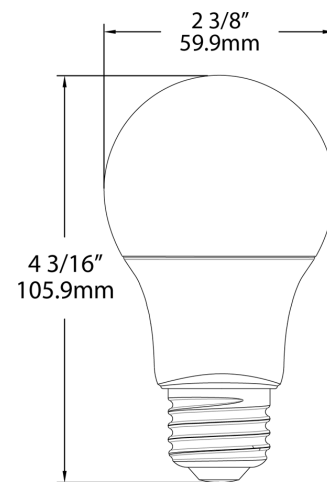
**CEC Status:**

Not lawful for sale in California

## Case and Pallet Dimensions

	QTY	LENGTH (in)	WIDTH (in)	HEIGHT (in)
<b>CASE</b>	12	5.2	4.9	15.4
<b>PALLET</b>	2268	48.1	47.3	39.8

## Dimension



## Light Distribution

