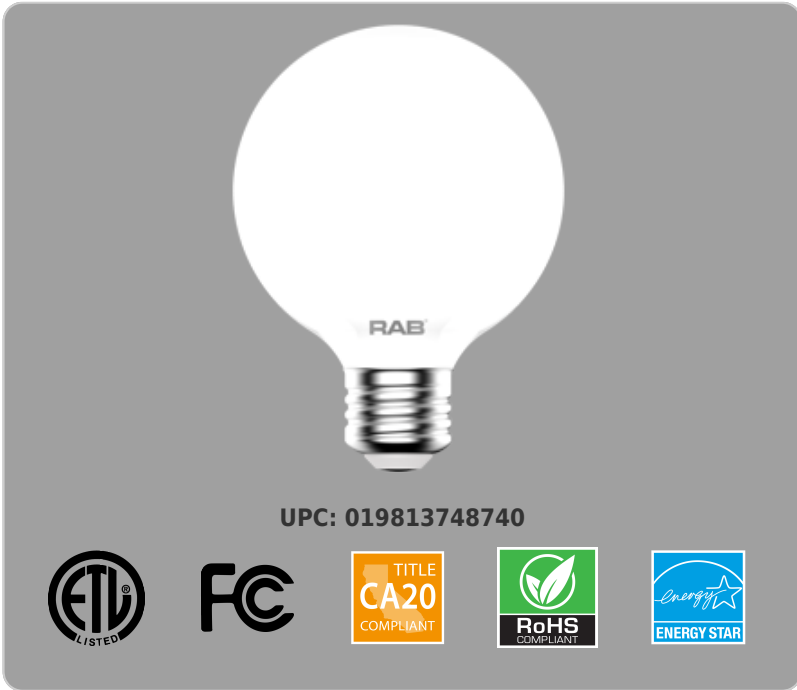


Project: _____ Type: _____ Prepared By: _____ Date: _____



Features and Benefits

- Replacement for conventional decorative lamps
- Filament LED construction gives a unique traditional look and feel for decorative and ambient applications
- Produces rich and vibrant colors, >90CRI
- Traditional glass envelop
- Rated for use in enclosed and open fixtures in wet locations
- Longer lifespan compared to legacy equivalents minimizes replacement and maintenance costs
- Title 20 Compliant, ENERGY STAR Compliant, UL Listed
- Smooth uniform dimming down to 10% (check dimmer compatibility list)

Technical Specifications		
Performance	L70 Lifespan:	For Use in Emergency Fixtures:
Product Type: Decorative	15,000 Hours	No
Input Wattage: 3W	Dimmable: Yes, down to 10%	For Use Outdoors in Open Fixtures: No
Typical Lumen Output: 350	Construction	Other
Efficacy: 92 lm/W	Bulb Shape: G25	Equivalency: 40W Incandescent
Color Temperature: 5000K Daylight	Base Type: E26	Warranty (Years): RAB warrants that our LED products will be free from defects in materials and workmanship for a period of three (3) years from the date of delivery to the end user, including coverage of light output, color stability, driver performance and fixture finish. RAB's warranty is subject to all terms and conditions found at rablighting.com/warranty .
CRI: 90	Beam Angle: 360°	
	Technical Specifications	
	Finish: Frosted	

Technical Specifications (continued)

Electrical

Power Factor:

0.7

Operating Temperature:

-20°C - 45°C

Input Voltage:

120V

Electrical Characteristics

Flicker:

<30%

Compliance

ETL Qualified:

Yes

ENERGY STAR V2.0:

This product is ENERGY STAR® Version 2.0 Certified

Energy Star ID:

2330364

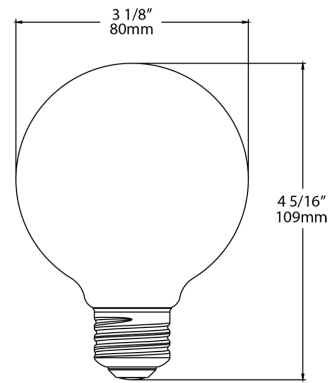
CEC Status:

Lawful for sale in California

Case and Pallet Dimensions

	QTY	LENGTH (in)	WIDTH (in)	HEIGHT (in)
CASE	6	10.4	7	5.7
PALLET	528	42.5	38.5	39.5

Dimension



Light Distribution

