

<b>Project:</b>	<b>Type:</b>	<b>Prepared By:</b>	<b>Date:</b>
-----------------	--------------	---------------------	--------------



**Features and Benefits**

- Replacement for conventional decorative lamps
- Filament LED construction gives a unique traditional look and feel for decorative and ambient applications
- Produces rich and vibrant colors, >90CRI
- Traditional glass envelop
- Rated for use in enclosed and open fixtures in wet locations
- Longer lifespan compared to legacy equivalents minimizes replacement and maintenance costs
- Title 20 Compliant, ENERGY STAR Compliant, UL Listed
- Smooth uniform dimming down to 10% (check dimmer compatibility list)

<b>Technical Specifications</b>		
<b>Performance</b>	<b>L70 Lifespan:</b>	<b>For Use in Emergency Fixtures:</b>
<b>Product Type:</b> Decorative	15,000 Hours	No
<b>Input Wattage:</b> 3W	<b>Dimmable:</b> Yes, down to 10%	<b>For Use Outdoors in Open Fixtures:</b> No
<b>Typical Lumen Output:</b> 350	<b>Construction</b>	<b>Other</b>
<b>Efficacy:</b> 88 lm/W	<b>Bulb Shape:</b> G25	<b>Equivalency:</b> 40W Incandescent
<b>Color Temperature:</b> 2700K Soft White	<b>Base Type:</b> E26	<b>Warranty (Years):</b> RAB warrants that our LED products will be free from defects in materials and workmanship for a period of three (3) years from the date of delivery to the end user, including coverage of light output, color stability, driver performance and fixture finish. RAB's warranty is subject to all terms and conditions found at <a href="http://rablighting.com/warranty">rablighting.com/warranty</a> .
<b>CRI:</b> 90	<b>Beam Angle:</b> 360°	
	<b>Technical Specifications</b>	
	<b>Finish:</b> Clear	

## Technical Specifications (continued)

### Electrical

**Power Factor:**

0.7

**Operating Temperature:**

-20°C - 45°C

**Input Voltage:**

120V

### Electrical Characteristics

**Flicker:**

<30%

### Compliance

**ETL Qualified:**

Yes

**ENERGY STAR V2.0:**

This product is ENERGY STAR® Version 2.0 Certified

**Energy Star ID:**

2330367

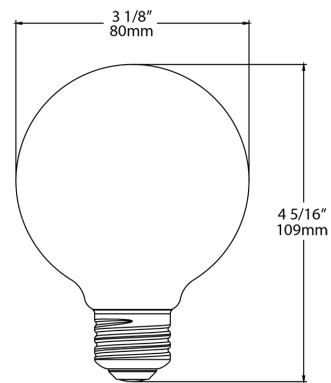
**CEC Status:**

Lawful for sale in California

## Case and Pallet Dimensions

	QTY	LENGTH (in)	WIDTH (in)	HEIGHT (in)
<b>CASE</b>	6	10.4	7	5.7
<b>PALLET</b>	528	42.5	38.5	39.5

## Dimension



## Light Distribution

