



Project:	Type:
Prepared By:	Date:

Technical Specifications

Performance

Product Type:

A-Line

Input Wattage:

9W

Lumens (Nominal):

800lm

Efficacy:

89 lm/W

Color Accuracy (CRI):

80 CRI

L70 Lifespan:

15,000-Hour LED lifespan based on IES LM-70 results

Compliance

UL Listed:

Suitable for damp locations

LED Characteristics

Color Temperature:

3000K

Construction

Bulb Shape:

A19 ECO 6PACK

Base Type:

E26

Beam Angle:

230°

Electrical

Power Factor:

0.5

Operating Temperature:

-20°C - 45°C

Input Voltage:

120V

Technical Specifications (continued)

Electrical

Operating Frequency:

60 Hz

Other

Warranty:

RAB warrants that our LED products will be free from defects in materials and workmanship for a period of three (3) years from the date of delivery to the end user, including coverage of light output, color stability, driver performance and fixture finish. RAB's warranty is subject to all terms and conditions found at rablighting.com/warranty.

Buy American Act Compliance:

RAB values USA manufacturing! Upon request, RAB may be able to manufacture this product to be compliant with the Buy American Act (BAA). Please contact customer service to request a quote for the product to be made BAA compliant.

Wattage Equivalency:

60W Incandescent

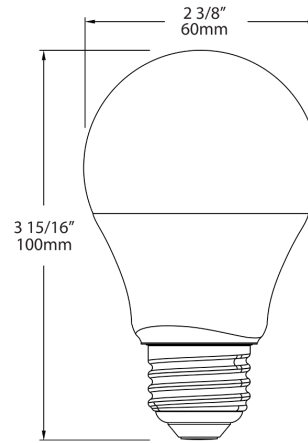
Minimum Compartment Size

Length x Width x Height [in]	Lamp Quantity
13.5 x 9.4 x 5.3	6

Case and Pallet Dimensions

	QTY	LENGTH (in)	WIDTH (in)	HEIGHT (in)
CASE	24	0	0	0
PALLET	2304	42.13	39.37	40.94

Dimension



Features

- Energy efficient replacement for incandescent and halogen lamps
- Constructed from durable plastic which lowers risk of breakage
- Rated for use in open fixtures in dry or damp locations
- Frosted lens produces smooth diffuse light
- Longer lifespan compared to legacy equivalents minimizes replacement and maintenance costs
- Contractor 6 Pack

Ordering Matrix

Family	Wattage	Base Type	CRI/Color Temp	Dimmable	Pack
A19	8.5	E26	830	ND ECO	6PK
	8.5 = 8.5W 10 = 10W 13.5 = 13.5W	E26 = E26 Base	850 = 80 CRI, 5000K 840 = 80 CRI, 4000K 830 = 80 CRI, 3000K	ND ECO = Non Dimming, Economy DIM = Dimmable	6PK = 6PK