



<b>Project:</b>	<b>Type:</b>
<b>Prepared By:</b>	<b>Date:</b>

Driver Info		LED Info	
Type	Constant Current	Watts	16W
120V	0.15A	Color Temp	2700K/3000K/3500K/4000K/5000K
208V	0.08A	Color Accuracy	90 CRI
240V	0.07A	L70 Lifespan	50,000 Hours
277V	0.07A	Lumens	1,100 lm
Input Watts	16W	Efficacy	68.8

Technical Specifications		
<p><b>Performance</b></p> <p><b>Description:</b> 5CCT selectable, low maintenance, decorative back-lit LED retrofit fixture installs on standard junction boxes. This universal voltage (120-277V) fixture also includes an integrated Microwave (MVS) sensor with a 30-second timeout.</p> <p><b>Product Type:</b> Surface &amp; Flush Mounts</p> <p><b>Input Wattage:</b> 16W</p> <p><b>Lumens (Nominal):</b> 1,100 Lm</p> <p><b>Efficacy:</b> 68.8 Lm/W</p>	<p><b>L70 Lifespan:</b> 50,000-Hour LED lifespan based on IES LM-70 results</p> <p><b>Compliance</b></p> <p><b>UL Listed:</b> Suitable for wet locations</p> <p><b>ENERGY STAR V2.2:</b> ENERGY STAR® Version 2.2 Certified</p> <p><b>Energy Star ID:</b> 2389853</p> <p><b>Construction</b></p> <p><b>Material:</b> Metal and Plastic</p>	<p><b>Trim Style:</b> Smooth Trim</p> <p><b>Shape:</b> Round</p> <p><b>Mounting:</b> Surface mount</p> <p><b>Operating Temperature:</b> -20°C (-4°F) to 40°C (104°F)</p>

**Technical Specifications (continued)**

**Construction**

**Size:**

12"

**Optical**

**Beam Angle:**

130°

**LED Characteristics**

**R9 Value:**

High color performance with R9 greater than or equal to 50

**Electrical**

**THD:**

≤20%

**Power Factor:**

≥0.9

**Flicker:**

≤30%

**Input Voltage:**

120-277V

**Operating Frequency:**

50/60Hz

**Other**

**Warranty:**

RAB warrants that our LED products will be free from defects in materials and workmanship for a period of five (5) years from the date of delivery to the end user, including coverage of light output, color stability, driver performance and fixture finish. RAB's warranty is subject to all terms and conditions found at [rablighting.com/warranty](http://rablighting.com/warranty).

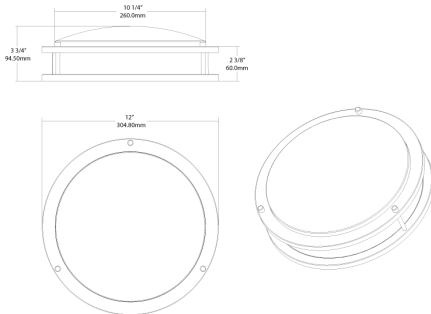
**Trade Agreements Act Compliant:**

This product is a product of Cambodia and a "designated country" end product that complies with the Trade Agreements Act

**Buy American Act Compliance:**

RAB values USA manufacturing! Upon request, RAB may be able to manufacture this product to be compliant with the Buy American Act (BAA). Please contact customer service to request a quote for the product to be made BAA compliant.

**Dimensions**



**Features**

- Surface Mount to ceiling or wall
- Field adjustable "set and forget" color temperature
- Diffused lens provides soft, smooth light
- Ideal for hospitality and multi-family residential applications
- Suitable for wet and damp locations
- 50,000-Hour lifespan

Ordering Matrix

Family	Type	Size	Shape	Wattage	CRI/Color Temp	Voltage	Dimming	Finish	Sensor	Options					
CRVFA	D	-	12	R	-	16	-	9CCT	-	UNV	-	BN	-	/MVS	
	S = Smooth D = Decorative	11 = 11" 12 = 12" 14 = 14" 18 = 18" 19 = 19"	R = Round	16 = 16W 20 = 20W 32 = 32W	9CCT = 90 CRI, CCT Selectable	120 = 120V UNV = 120-277V	Blank = 0-10V Dimming T = Triac Dimming	W = White BN = Brushed Nickel	Blank = No Sensor /MVS = Microwave Occupancy Sensor	Blank = No Option /EM = Battery Backup /EMBB = Battery Backup					