

B234SR277M-A

APPLICATION and PERFORMANCE SPECIFICATION

Description: High frequency electronic ballast for (2,1) F40T12ES or (2,1) F40T12 lamps, (2,1)F32T12, (2,1)F40T10 (and equivalent U-bend lamps)

- Line Voltage: 277vac , ±10%, 60Hz
- Series Lamp Operation
- Rapid Start
- Passive Power Factor Correction

Lamps		Input Watts	Nominal Line Amps	Power Factor	Ballast Factor	Ballast Efficacy Factor	Harmonic Total	Crest Factor
Type	#							
F40T12ES	2	60	0.23	> .90	0.87	1.45	< 30%	< 1.7
F40T12ES	1	35	0.15	> .80	0.94	2.69	< 30%	< 1.7
F40T12	2	70	0.26	> .90	0.87	1.24	< 30%	< 1.7
F40T12	1	42	0.17	> .88	0.94	2.24	< 30%	< 1.7
F32T12	2	55	0.21	> .90	0.87	1.58	< 30%	< 1.7
F32T12	1	33	0.15	> .80	0.94	2.85	< 30%	< 1.7
F40T10	2	73	0.27	> .90	0.88	1.21	< 30%	< 1.7
F40T10	1	43	0.17	> .88	0.99	2.30	< 30%	< 1.7

Application and Performance Specification Information Subject to Change without Notification.

Performance:

- Meets ANSI Standard C82.11-1993
- Meets ANSI Standard C62.41-1991
- Meets FCC Part 18 (Class A) for EMI and RFI Consumer Limits
- Meets CSA Standard 654 for Ballast Efficiency

Safety:

- No PCB's
- UL listed (Class P, Type 1 Outdoor, Type HL)
- CSA Certified

Application:

- Minimum Starting Temperature: 50° F, 10° C
- Energy Saving Lamps 60° F, 16° C
- Sound Rated: A
- Remote Mounting: 20 ft. max. lead length, 18 AWG

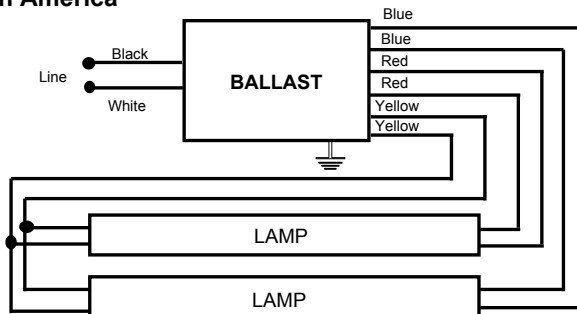
Physical Parameters

- Length: 9.50"
- Width: 1.70"
- Height: 1.18"
- Weight: 1.70 lbs.
- Lead Length: White, Black 22" (± 1")
- Red, Blue 26" (± 1")
- Yellow 45" (± 1")

Warranty:

Universal Lighting Technologies warrants to the purchaser that each electronic ballast will be free from defects in material or workmanship for a period of 3 years from date of manufacture when properly installed and under normal conditions of use. Call **1-800-BALLASTx800** for technical assistance.

Manufactured in China or North America



Ballast Must be Grounded

For 1-lamp use individually cap yellow leads